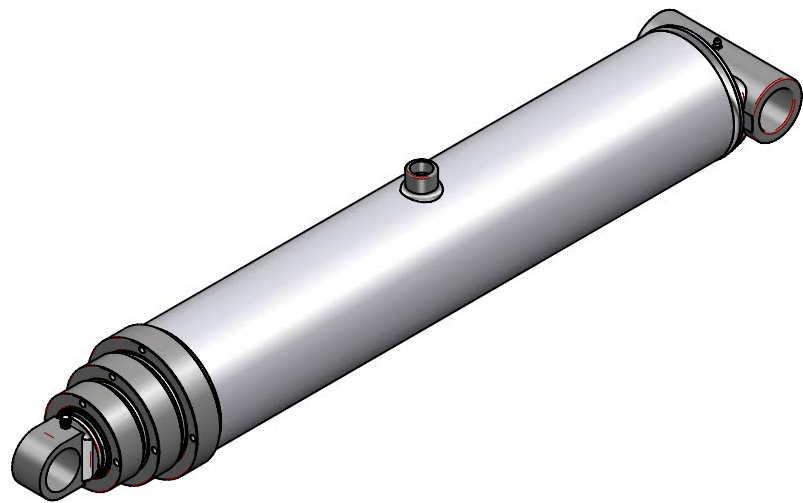
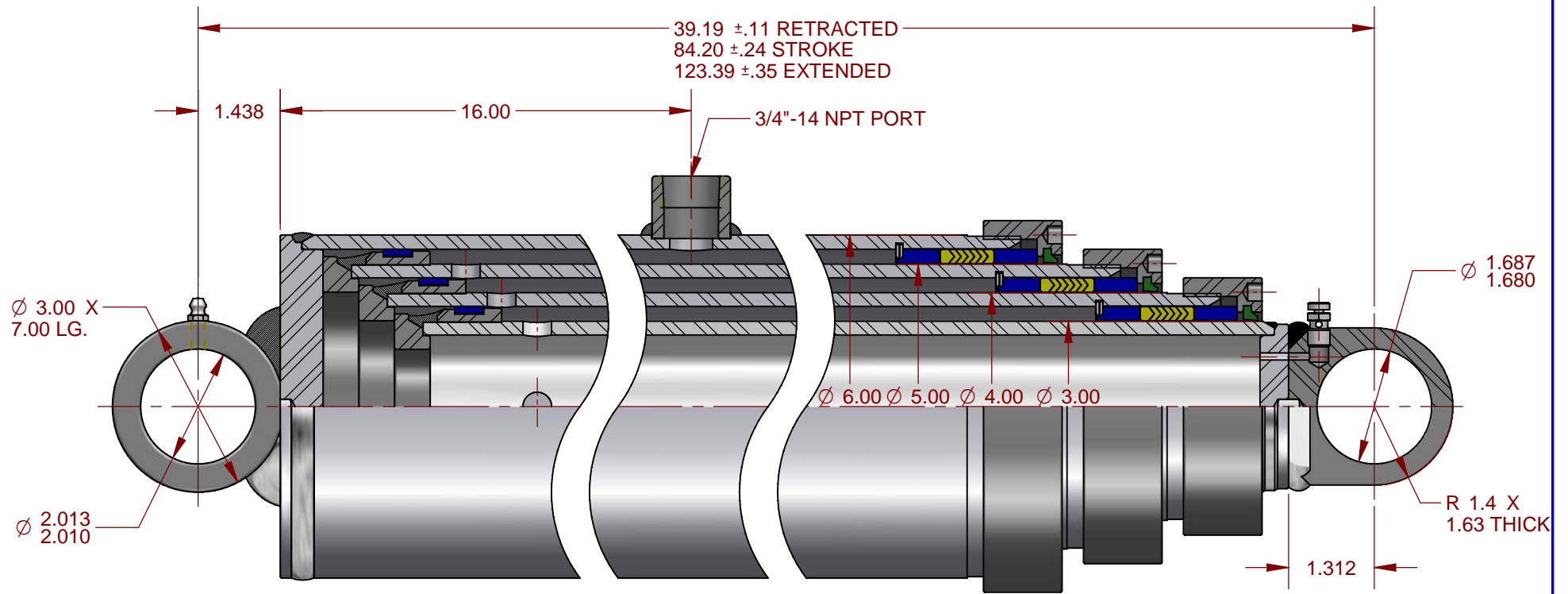


THESE ENGINEERING DRAWINGS HAVE BEEN PREPARED BY SOUTHERN HYDRAULIC CYLINDER, INC. ("SHC") BASED ON PARTICULAR INFORMATION AND DESIGN SPECIFICATIONS PROVIDED BY THE CUSTOMER. SHC ASSUMES NO RESPONSIBILITY FOR SUCH PARTICULAR INFORMATION OR DESIGN SPECIFICATIONS PROVIDED AND ASSUMES NO RESPONSIBILITY FOR ANY SPECIFIC APPLICATION OF THE PRODUCT RESULTING FROM THE DESIGN SPECIFICATIONS. CUSTOMER SHALL INDEMNIFY SHC AGAINST ANY CLAIM BY ANY PARTY FOR DAMAGES BASED ON ANY ERROR, OMISSION OR FAULT IN THE PARTICULAR INFORMATION OR DESIGN SPECIFICATIONS PROVIDED BY THE CUSTOMER.

THIS PRINT CONTAINS CONFIDENTIAL INFORMATION AND IS THE PROPERTY OF SOUTHERN HYDRAULIC CYLINDER, INC. AND IS NOT TO BE COPIED OR REPRODUCED WITHOUT THE EXPRESSED CONSENT OF SOUTHERN HYDRAULIC CYLINDER, INC.



**NOTES:**

1. SEAL KIT NUMBER: 53SA
2. PAINT NUMBER: UN1263 RED OXIDE PRIMER.
3. MAX. OPERATING PRESSURE: 2500 PSI.
4. OIL CAPACITY (GAL.) 1.98 RETRACTED; 6.69 EXTENDED.
5. CYLINDER WEIGHT (lbs) : APPROX. 157

<b>SOUTHERN</b> HYDRAULIC CYLINDER, INC.	
3020 Lee Highway Athens, Tennessee 37303	
MACHINING TOLERANCES UNLESS OTHERWISE SPECIFIED	DRAWN BY
ONE PLACE .X = ±.1	CHECKED
TWO PLACES .XX = ±.03	APPROVED
THREE PLACES .XXX = ±.010	SCALE
FOUR PLACES .XXXX = ±.0010	
ALL ANGLES = ±2°	
BREAK ALL SHARP EDGES .010 X 45°	
DO NOT SCALE DRAWING FOR MACHINING DIMENSIONS	
<b>TELESCOPIC CYLINDER ASSEMBLY</b>	
DRAWING NO. <b>5384CTL</b>	

CHANGE	NO.	DATE	BY
CUSTOMER			
FILE	SE		